

Pyroplex



Pyroplex Limited
The Furlong, Droitwich,
Worcestershire, WR9 9BG. UK

t: +44 [0]1905 795432 e: info@pyroplex.com



www.pyroplex.com

Passive Fire Protection



Pyroplex

Performance >

Reliability >

Value >

Pyroplex is a leading authority in the specification, manufacture and testing of passive fire protection products. Based in the UK, we operate internationally to help the construction industry ensure high levels of fire safety in both commercial and residential buildings.

For over 30 years, the company has been developing fire sealing systems and fire stopping products, meeting and exceeding strict regulatory requirements in fire resistance. Our fire containment products work to prevent fire exploiting the weakest areas of a building such as doors, windows and pipework.

You can be sure that our passive fire protection products work with others around them to provide the optimum protection. Not only do we invest heavily in third-party certification, but we also have our own indicative test facility. With in-house design and tooling manufacture, we are regularly asked to extrude custom profiles for major projects. In addition, we manufacture our industry leading intumescent graphite-based compounds in-house, providing traceability and assurance throughout the production process.

Fire Door Seals

Fire doors are a crucial component in the passive fire protection of a building, and all fire doors must be fitted with the appropriate seals.

Fire doors seals are placed around the perimeter of the doorset on three edges between the frame and the door. An architectural ironmongery sealing system can be fitted to the bottom of the door if required. In the event of a fire, the extreme heat causes the intumescent strip to expand and seal the gap between the door leaf and the frame. This contains the fire and allows enough time for people to evacuate the building. By preventing the fire from spreading to other parts of the building, the risk to life and property is greatly minimised.

Pyroplex fire door seals include additional features that also prevent the passage of smoke, an important consideration as UK Government statistics show that smoke inhalation is responsible for more fatalities than fires. The flippers used on our seals are the most durable on the market. Combined with our manufacturing process, our unique thermoplastic elastomer technology results in unrivalled tear and durability performance for the lifetime of the product.

All intumescent strips are supplied with a self-adhesive backing and are printed for identification and traceability.

Those with casings are all available in six colours to match your fire doors and make the seals less conspicuous.



The flat base geometry of our fire door seals provides a greater contact area with the doorset, making them easier to fit on site.

Fire door seals are just one part of the process of maintaining compartmentation. Fire resistant glazing (page 10) and intumescent air transfer grilles (page 17) also provide protection. See our fire stopping section for additional passive fire protection measures.



Intumescent Strip

A fire only seal for FD30, FD60, FD90 and FD120 fire rated timber door edges and frames. Suitable for single and double action doors. Available in 6 colours.

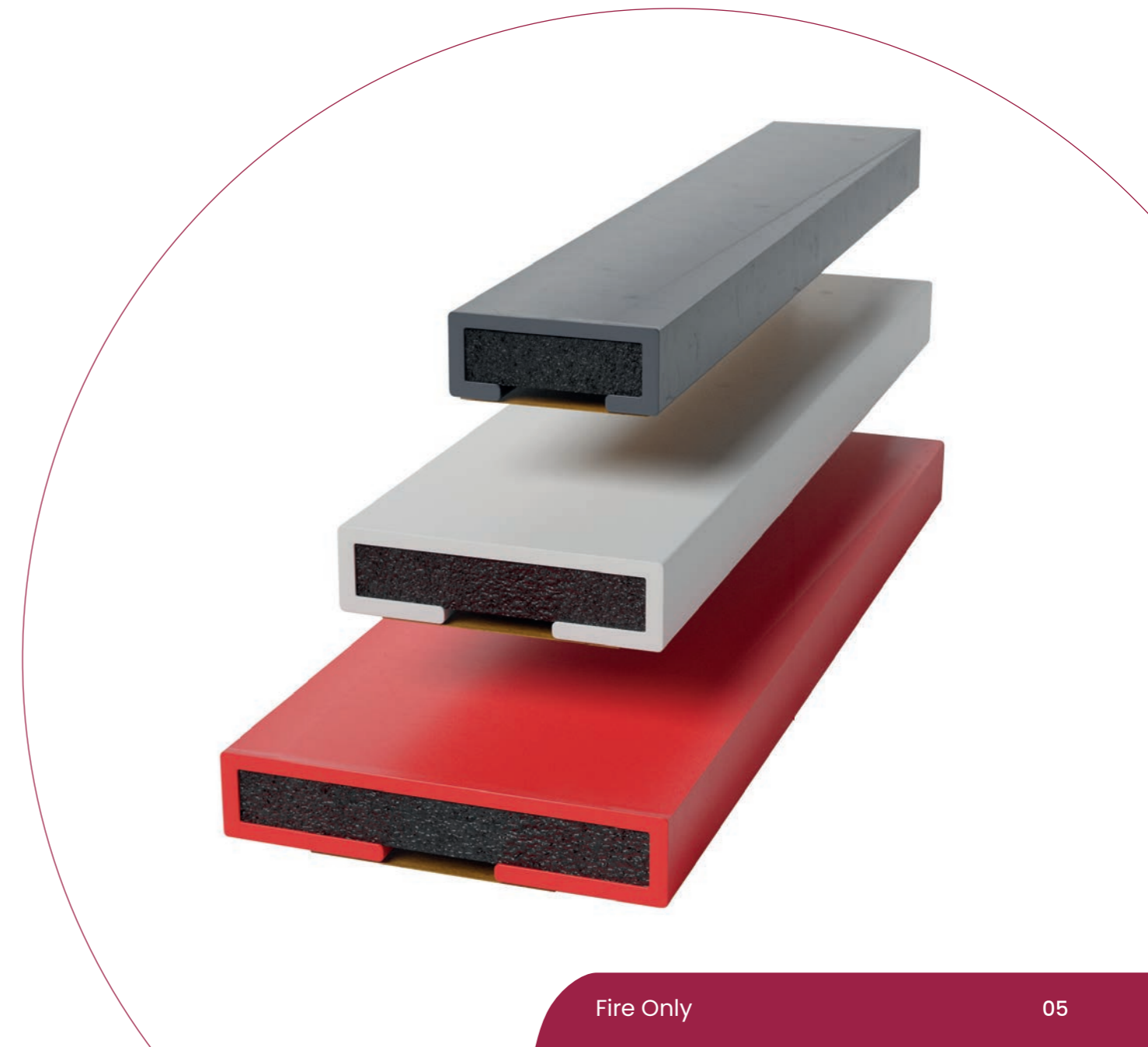
Performance and Certification:

Fire – BS 476: Part 20/22 | Fire – BS EN 1634-1 | Fire – BS EN 1363-1
Certifire TS35 Certificate CF355

Intumescent Strip



See page 32 for details of all options.



Intumescent Strip with Brush

Fire, smoke and acoustic protection for FD30, FD60, FD90 and FD120 fire rated timber door edges and frames. Brush is extremely durable, and ideal for high traffic areas. Our brush seals far exceed the minimum 100,000 cycles that they are tested to. Available in 6 colours.

Performance and Certification:

Fire – BS 476: Part 20/22 | Smoke – BS 476: Part 31.1 | Fire – BS EN 1634-1
Smoke – BS EN 1634-3 | Acoustic – BS EN ISO 10140-2 | Certifire TS35 and TS21 Certificate CF355

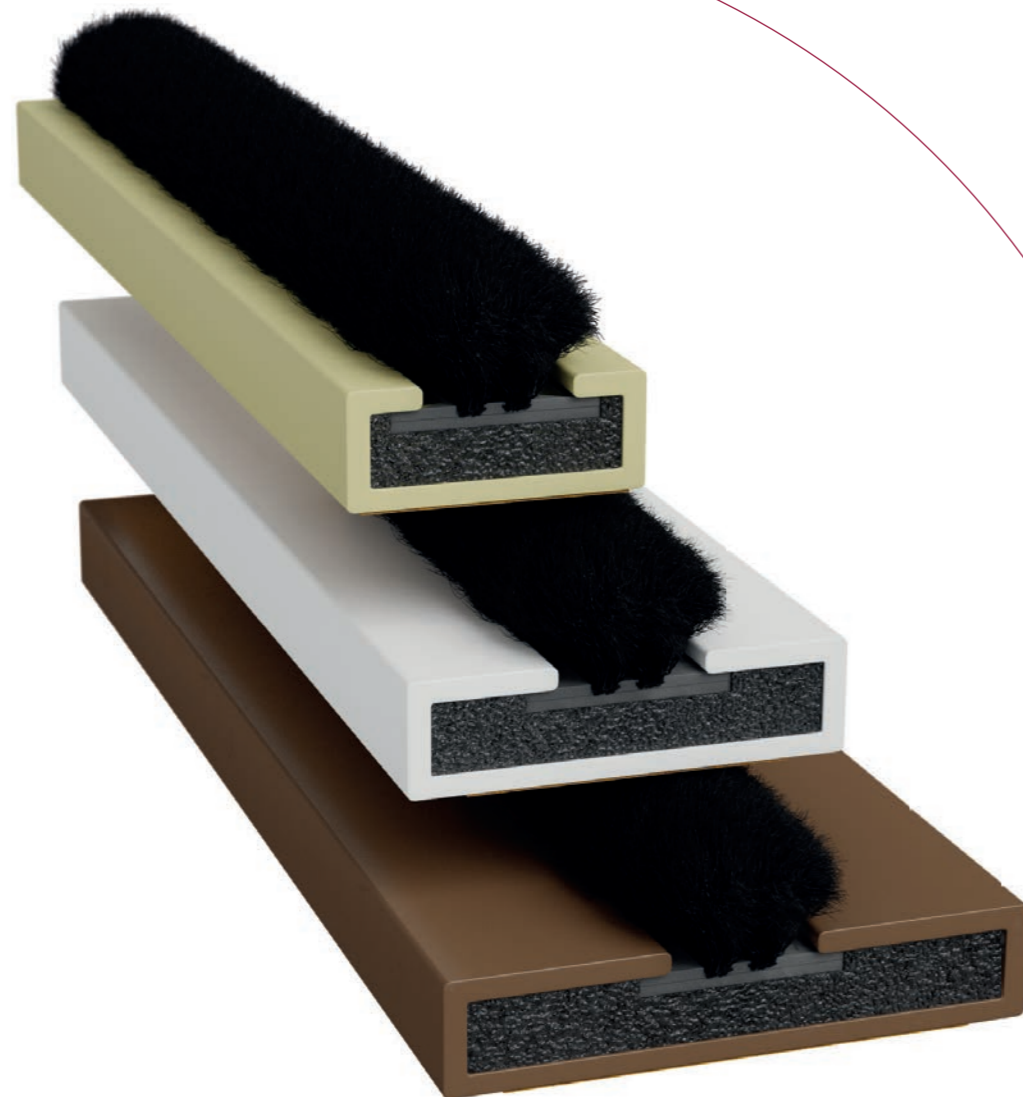
Strip with Brush



Strip with Brush and Fin



See page 32 for details of all options.

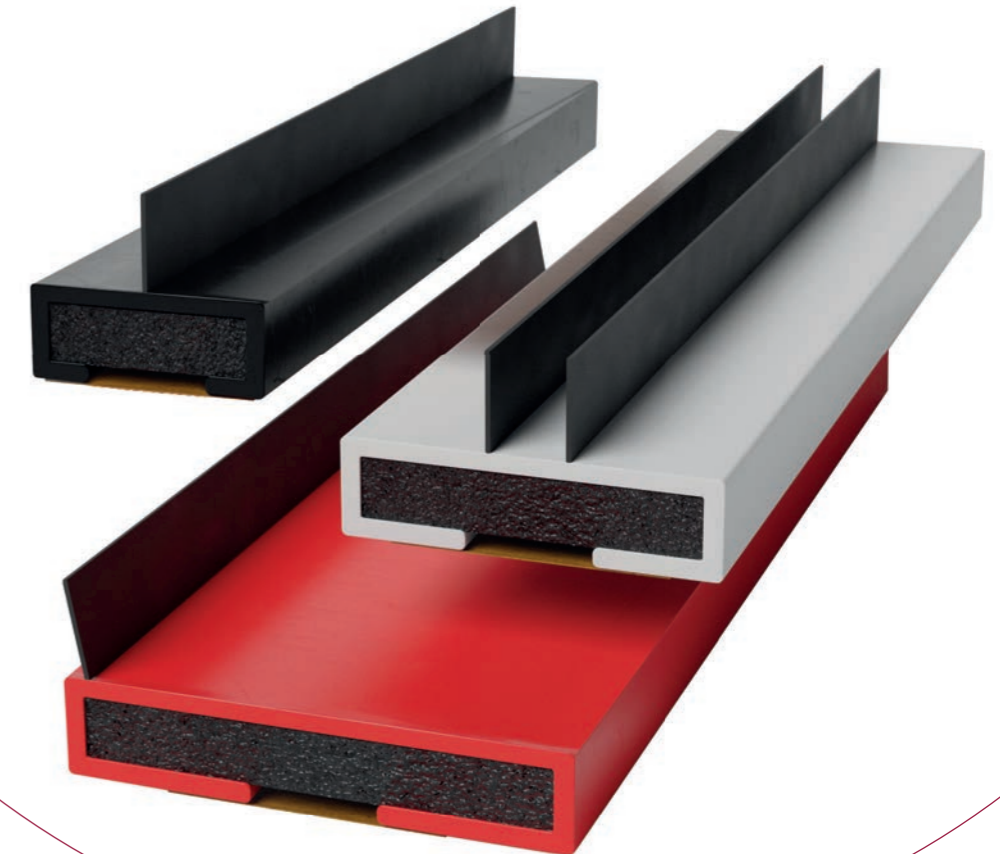


Intumescent Strip with Flipper

Intumescent strips with flippers provide fire, smoke and enhanced acoustic protection for fire rated timber door edges and frames. Pyroplex flippers are thermally fused to the casing for tear resistance and increased durability. Flipper seals are easy to clean, making them particularly beneficial in areas where hygiene is paramount, such as hospitals, health centres, schools, or even businesses. Available in 6 colours.

Performance and Certification:

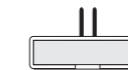
Fire – BS 476: Part 20/22 | Smoke – BS 476: Part 31.1 | Fire – BS EN 1634-1
Smoke – BS EN 1634-3 | Acoustic – BS EN ISO 10140-2 | Certifire TS35 and TS21 Certificate CF822



Strip with Single Flipper



Strip with Twin Flipper



Strip with Triple Flipper*



Strip with Side Flipper*



*Seals are often partially interrupted by essential ironmongery such as hinges. Pyroplex flippers maintain an integral smoke and acoustic seal when interrupted, due to the positioning of the flippers, thereby maintaining effective smoke sealing.

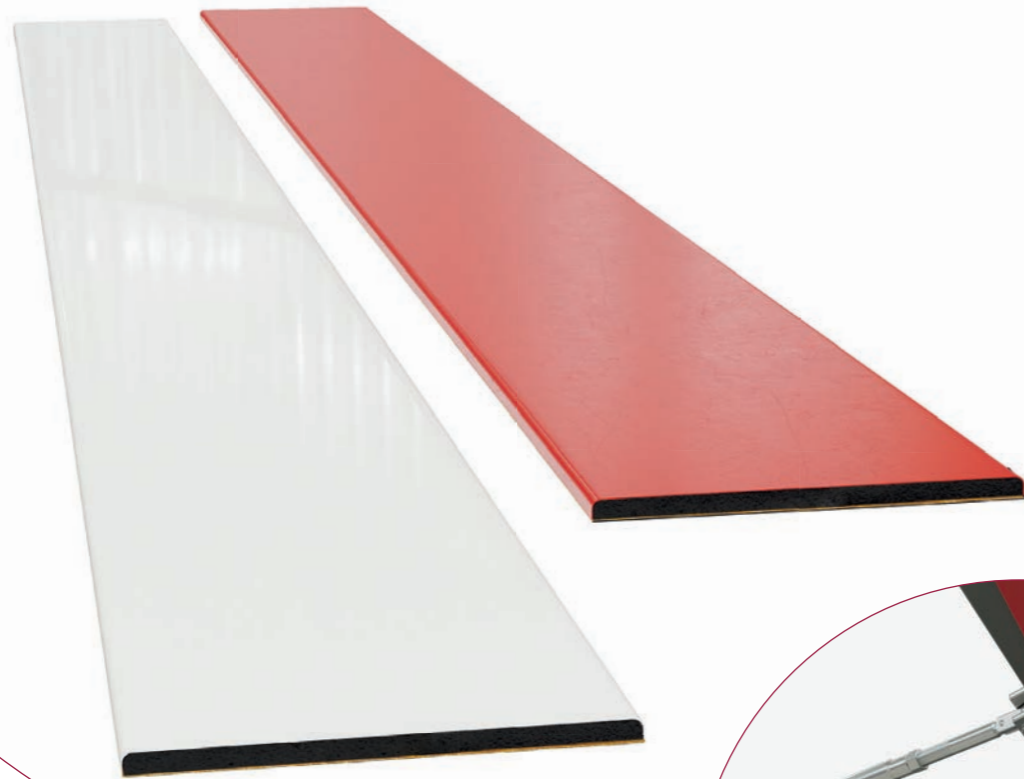
See pages 32 for details of all options.

Flexible Door Strip

Expandable graphite strips contained within a durable polymeric casing. Suitable for surface mounted applications on fire rated timber and metal door edges and frames. Supplied on continuous reels with self-adhesive backing tape, they are available in 6 colours in a range of thicknesses and widths. They are quick and easy to fit with no special tools required.

Performance and Certification:

Fire – BS 476: Part 20/22 | Fire – BS EN 1634-1 | Fire – BS EN 1363-1
Certifire TS35 Certificate CF355



See page 33 for details of all options.

Intumescent Door Strip

Expandable graphite strips for fire rated timber and metal door edges and frames. Available in raw graphite without a polymeric casing, in a range of thicknesses and widths. Suitable for surface mounted applications and supplied on continuous reels. They are quick and easy to fit with no special tools required. Available with or without self-adhesive tape.

Performance and Certification:

Fire – BS 476: Part 20/22 | Fire – BS EN 1634-1 | Fire – BS EN 1363-1
Certifire TS35 Certificate CF355



See page 33 for details of all options.



Fire Glazing Seals

Glazing seals provide effective sealing against fire and smoke by protecting glazed apertures. Glazing is often the most vulnerable part of a fire door system. Yet, it is often overlooked. Without the correct glazing seals, a fire door is simply not a fire door.

All of our glazing seals contain intumescent material. When subjected to heat, this material will quickly expand to form a pressured seal around the glass panel. This keeps the glass in place, and helps to contain the fire, allowing people time to safely evacuate the building.

All Pyroplex glazing seals are suitable for use in non-insulated and fully insulated fire resistant glass. They have undergone a rigorous testing programme and achieved the requirements set out in BS476: Part 22. They have also been awarded third party approval from Certifire.

Our glazing seals are supplied with a self-adhesive backing (excluding the U channel) and are printed for identification and traceability.

Those with casings are all available in four colours to make the seals less conspicuous.



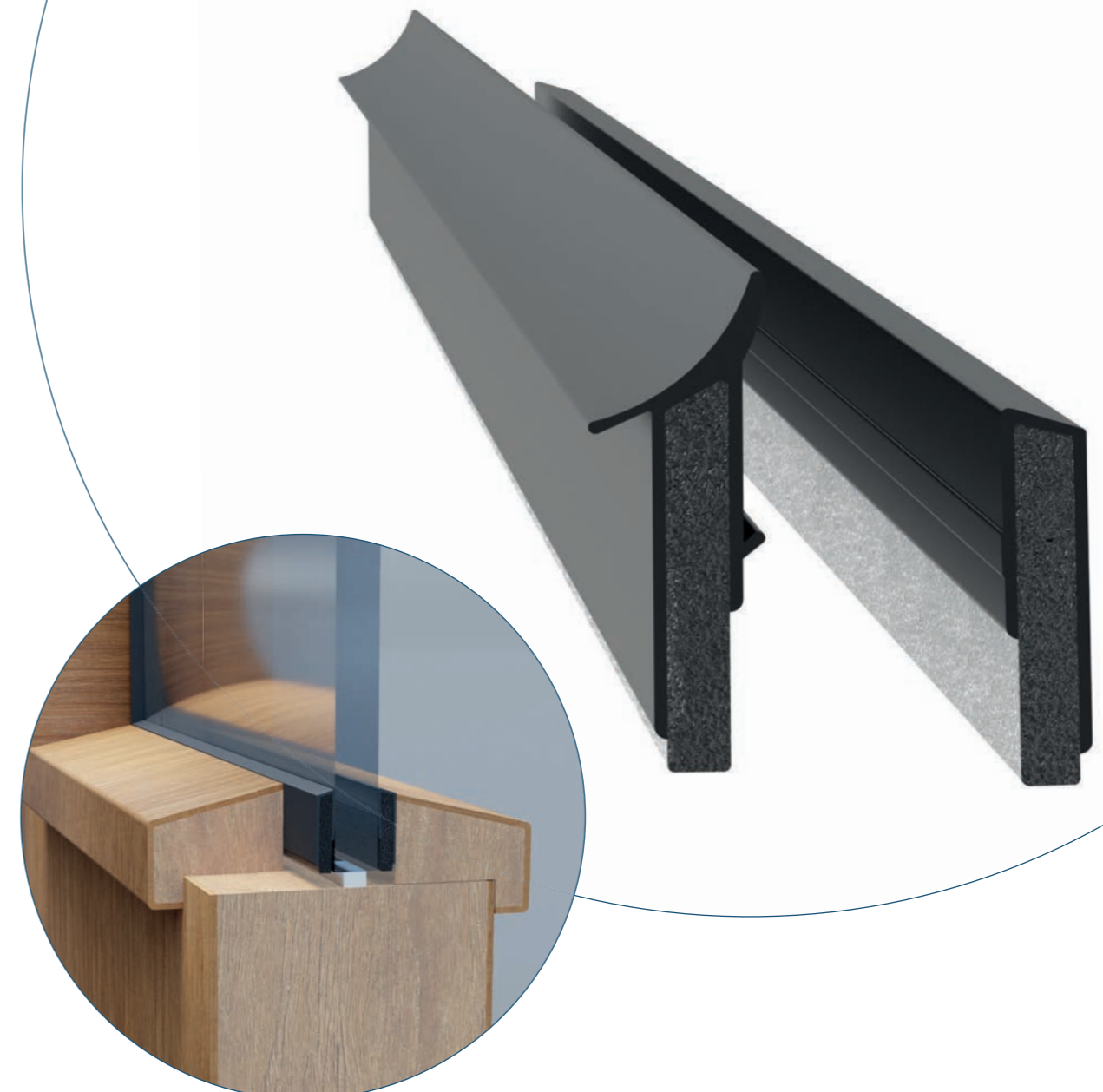
No mastic or wet sealant is required on any of our glazing seals.

Fire Glazing Seals 30 Minute

Pyroplex FG30 30 minute glazing seals are fully flexible and approved for use on slimline economical beads. Supplied on continuous reels. Self-adhesive backing.

Performance and Certification:

Fire – BS 476: Part 20/22 | Fire – BS EN 1634-1 | Fire – BS EN 1363-1
 Certifire TS25 Certificate CF348



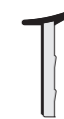
Glazing Seal with Fin



Low Sight Line Glazing Seal



Glazing Seal without Fin



Glazing Strip



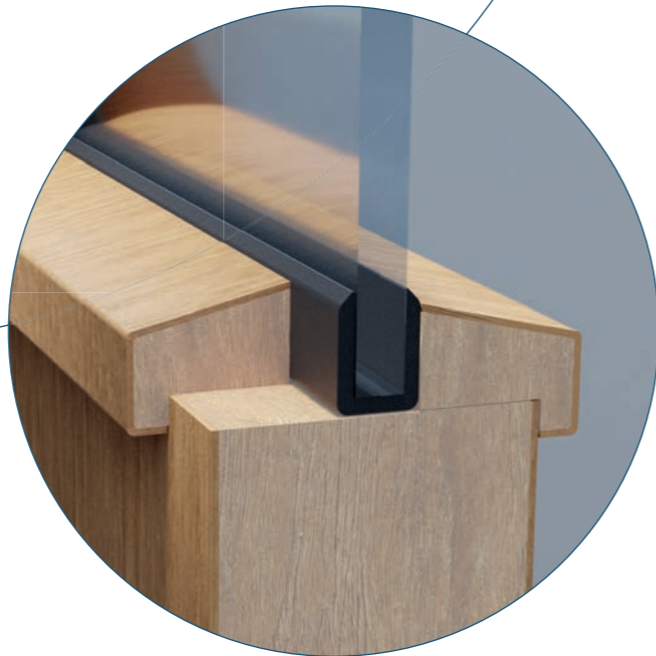
See pages 34-37 for details of all options.

Intumescent U Channel 30 Minute

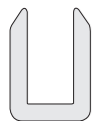
For use in timber fire doors. Fully flexible and easy to install. The U channel grips the glass when installed, so there is no need for additional adhesive. Supplied on continuous reels.

Performance and Certification:

Fire – BS 476: Part 20/22 | Fire – BS EN 1634-1 | Fire – BS EN 1363-1
Certifire TS25 Certificate CF348



U Channel



See page 34 for details of all options.

Fire Glazing System 60 Minute

Suitable for glazed vision panels in 60 minute timber doorsets. Manufactured from a unique rigid intumescent material, this two-part system comprises of two glazing seals and one glazing liner. To be used with a hardwood bead with a minimum density of 640kg/m³. Suitable for use in 6mm, 15mm and 23mm glass (aperture restrictions apply). Supplied with a self-adhesive backing.

Performance and Certification:

Fire – BS 476: Part 22 | Certifire TS25 Certificate CF5827

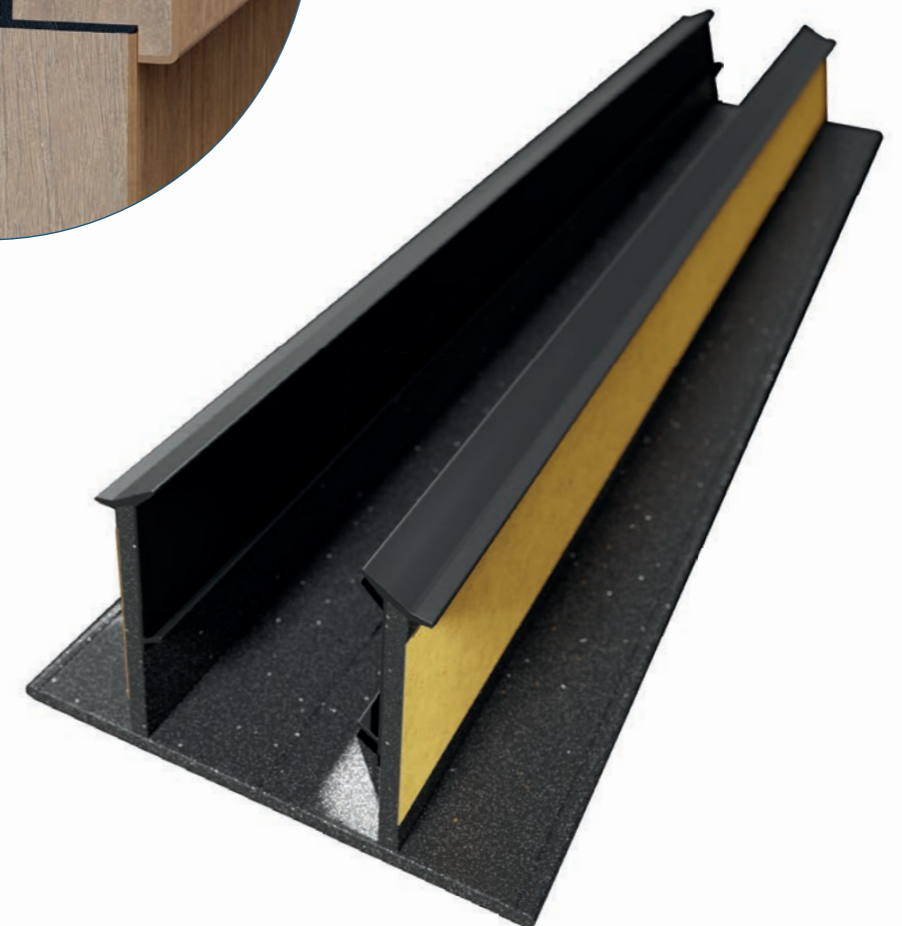
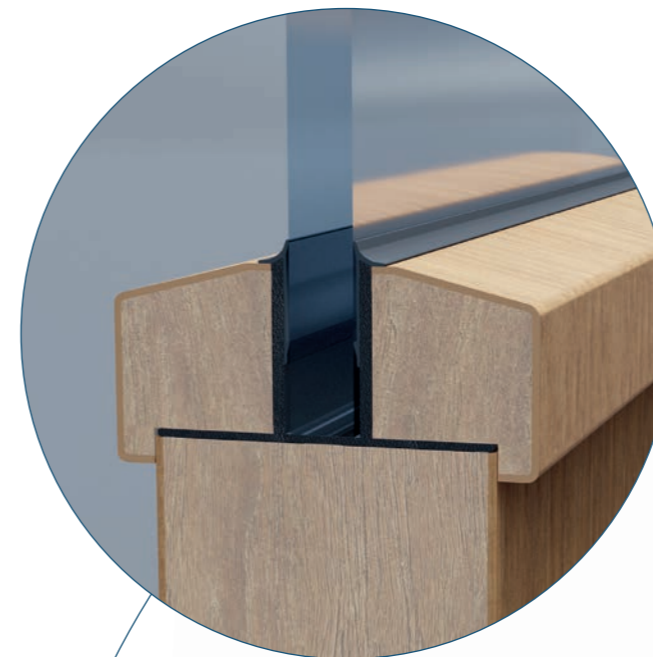
Glazing Seal



Glazing Liner



See page 38 for details of all options.



Custom Seals

In addition to a full range of standard products, we provide a custom design and manufacturing service to meet the needs of specific designs. Our technical department can advise on appropriate types of testing for various configurations, using our on-site testing furnace for indicative tests prior to full-scale testing at accredited test houses.

Pyroplex specialise in the extrusion of intumescent seals covering single extrusion, co-extrusion, and triple extrusion. We also offer a wide range of in-line finishing options. All seals are manufactured at our UK factories in Droitwich, Worcestershire. Our site covers a 30,000m² area and includes our own indicative testing furnace. We also have an extensive range of 'down-stream' production equipment for smoke seal insertion, adhesion of thermally fused flippers, self-adhesive tape backing, printing and assembly.

Our intumescent material is a unique formulation exclusive to the Pyroplex range of products.

Our custom seals can have a casing matched to any colour you choose.

Our intumescent material is not affected by humidity or immersion in water. It is non-toxic and non-fibrous (dust free), non-flaking and difficult to tear.



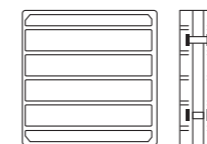
Air Transfer Grilles

Pyroplex fire rated air transfer grilles are suitable for use in fire resisting doorsets for up to 60 minutes fire resistance. In normal use, the system allows air to be circulated and moved throughout the building. In the event of a fire the intumescent grilles close and provide a fire barrier that restricts the passage of hot gases.

Performance and Certification:
BS 476: Part 22 | IFC Certificate No. IFCCI001-SDP 032



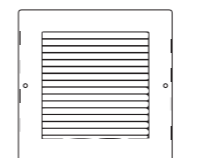
Grilles



The frames are constructed from galvanised steel [0.65mm thick] with matching zintec clips. The system is easy to install and is maintenance free.

NB: Not suitable for installation in fire doors requiring test evidence for smoke control [BS 476: Part 31.1] or [BS EN 1634-1].

Faceplates



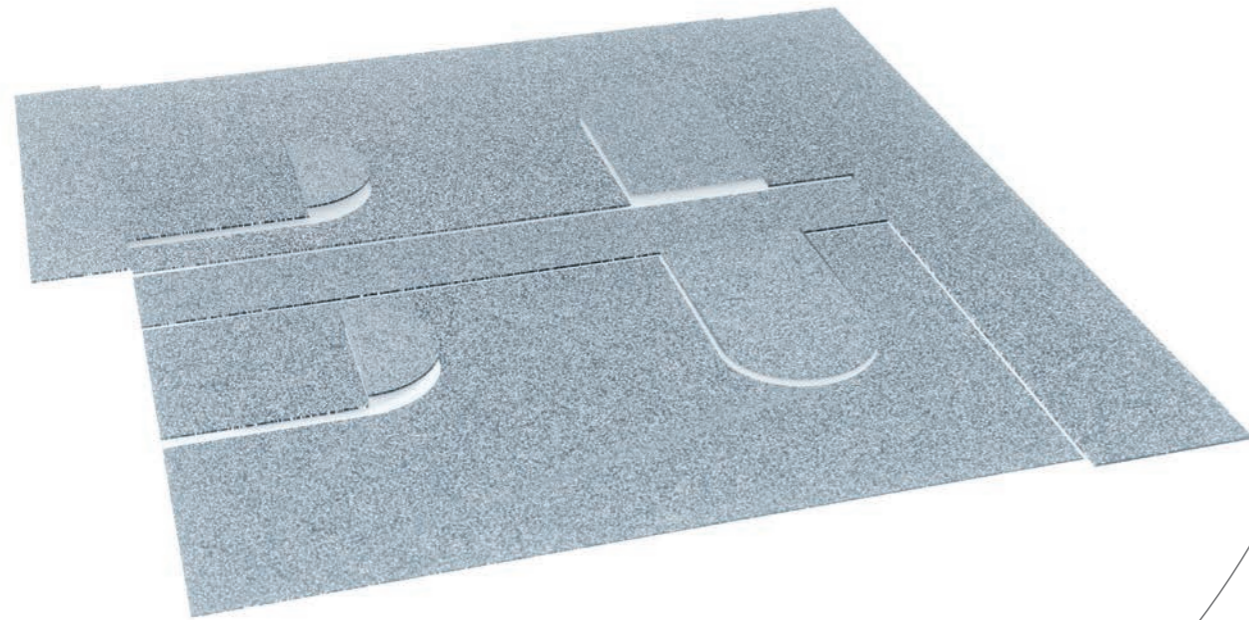
Faceplates are constructed from galvanised steel [1.0mm thick] and powder coated. Available in white and silver.

See page 38 for details of all options.

Intumescent Ironmongery Protection

The ironmongery components of a fire door (hinges, locks, and latches) are an essential part of fire door safety. These pre-cut intumescent sheets prevent heat transfer onto hardware rebated into timber doorsets, which can compromise fire safety.

Multiple variations are available to suit the most common ironmongery components. Contact your supplier for details. Also available on a 50m roll, so you can cut, fold, and die-stamp to suit your exact requirements.



Fire Rated Expanding Foam

Flame retardant based polyurethane expanding foam for sealing gaps around door frames or perimeter pointing. Expands up to 38 times its volume. Suitable for use on FD30, FD60, FD90 and FD120 doorsets. Pyroplex fire rated expanding foam will achieve a fire resistance period of up to 120 minutes.

Performance and Certification:

Fire – BS EN 1366-4 | Certifire TS40 Certificate CF828

See page 45 for details of all options.



Fire Stopping

Fire stopping is a form of passive fire protection that is used to seal around openings and between joints in a fire-resistance-rated wall or floor assembly.

Passive fire protection measures are less visible than 'active measures' such as sprinklers and fire extinguishers. Passive measures concern critical components that should be incorporated into the framework of the building, and they are equally critical in the role of slowing fire spread at source. Passive fire protection is about dividing a building into compartments – usually determined by floors and walls. The aim is to ensure that these compartments are fully separated and therefore slow the spread of fire and smoke, contain the fire at its origin and protect escape routes.

Internal services such as waste, water and drainage create large cavities to pass plastic, flammable pipes through the building. Utilities create cavities in walls or floors to pass plastic, flammable pipes through the building. These cavities can compromise the compartments, enabling fire to spread more swiftly. Pyroplex manufacture fire stopping products to seal these cavities and help to slow the spread of fire and smoke from compartment to compartment. Where penetrations and cavities are concerned, pipe wraps, pipe collars and construction sealants are important.

Fire collars prevent the passage of fire and hot gases from one compartment to another through service penetrations and ductwork. They are suitable for use in concrete and masonry walls and floors, as well as plasterboard partitioning walls. Fire wraps perform the same function but they must be installed within a solid construction masonry wall.



400 Series Pipe Collars

Our 400 series collars will reinstate the fire resistance of a concrete or masonry wall or floor which has been penetrated by plastic flammable pipes from 25mm to 400mm for up to a maximum of 4 hours. They will reinstate the fire resistance of a plasterboard wall for up to a maximum of 2 hours.



Performance and Certification:

Fire – BS 476: Part 20 | Fire – BS EN 1366-3 | Certifire TS03 Certificate No. CF635
CE Mark 2812 – CPR-JA5002/ETA 20/1208

See page 39-41 for details of all options.

200 Series Slimline Pipe Collars

The Pyroplex 200 series slimline collar can be used in many more applications than the standard 200 series. The collar depth has been halved from 60mm to 30mm meaning it can be installed on penetrations such as u-bends and radius pipes in hard-to-reach areas.

The 200 series slimline collar will reinstate the fire resistance of a wall or floor which has been penetrated by plastic flammable pipes from 55mm to 200mm for up to a maximum of 2 hours.

Performance and Certification:

Fire – BS EN 1366-3 | CE Mark 2812 – CPR-EA5002 | ETA 20/1207

See page 42 for details of all options.



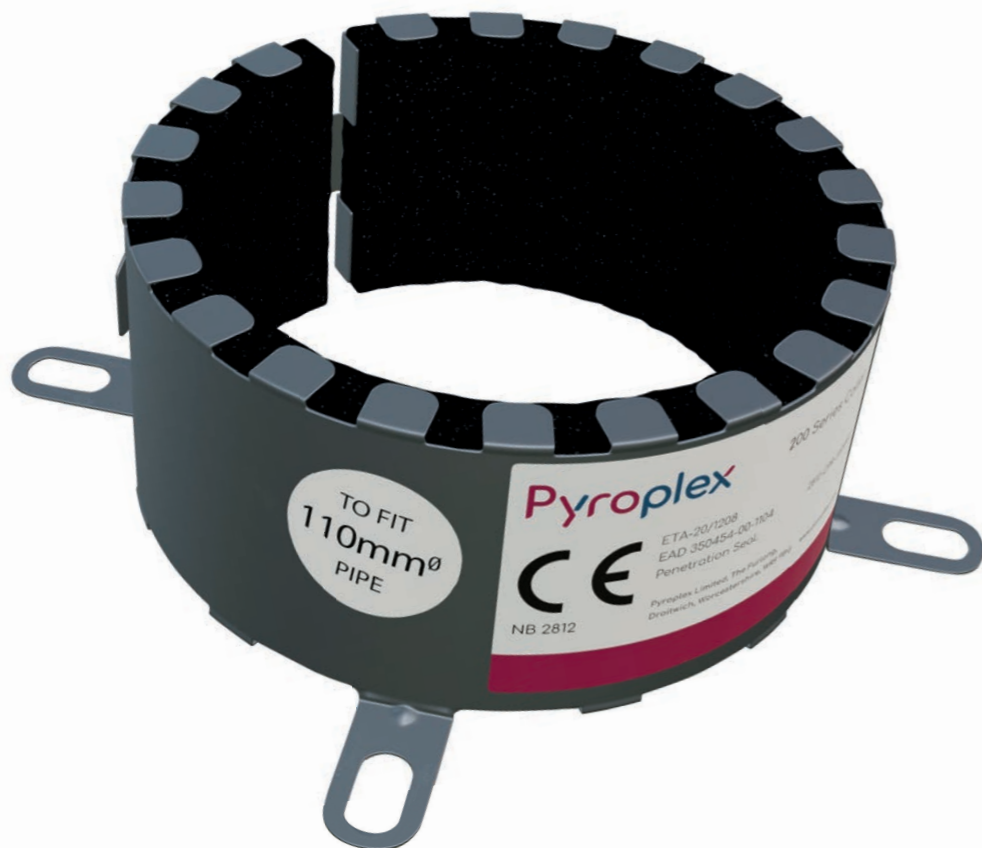
200 Series Pipe Collars

Pyroplex 200 series collars will reinstate the fire resistance of a wall or floor which has been penetrated by plastic flammable pipes from 55mm to 160mm for up to a maximum of 2 hours.

Performance and Certification:

Fire – BS 476: Part 20 | Fire – BS EN 1366-3 | Certifire TS03 Certificate No. CF635
CE Mark 2812 – CPR-JA5002/ETA 20/1208

See page 43 for details of all options.



Pipe Wraps

Pyroplex pipe wraps are available in various sizes, suitable for a wide range of pipe diameters, pipe materials and pipe thicknesses.

Performance and Certification:

Fire – BS EN 1366-3 | Certifire TS03 Certificate No. CF635
CE Mark 2812 – CPD-JA5003/ETA 20/1209



Pyroplex CE marked pipe wraps reinstate the fire resistance of a wall or floor which has been penetrated by services such as plastic flammable pipes used in soil, waste and drainage services.

Available in two fire ratings; 2 hour and 4 hour. To fit, simply fix the wrap around the pipe using adhesive tab and slide along pipe into wall/floor cavity.

See page 44 for details of all options.

Intumescent Acrylic Sealant

Pyroplex intumescent acrylic sealant is suitable for perimeter pointing around services and for use in low movement linear joints in walls and floors.

Performance and Certification:

Fire – BS 476: Part 20/22 | Fire – BS EN 1366-4 | IFC Certificate No. IFCC1366



It is for use in internal applications, and is compatible with common building materials. It can provide up to 240 minutes fire resistance depending on application and backing material used.

See page 45 for details of all options.

CE Intumescent Acrylic Sealant

Pyroplex CE intumescent acrylic sealant exhibits all of the properties of our standard intumescent acrylic sealant, but it has been tested for more applications. It has been tested for use with flexible wall partitions, metallic pipes, and electrical cables. It is also suitable for use in header and soffit joints.

Performance and Certification:

Fire – BS EN 1366-3 and BS EN 1366-4 | CE Mark – 2821-CPR-0182 | ETA 21/0775 and ETA 21/0776

See page 45 for details of all options.



Fire Rated Silicone Sealant

Pyroplex fire rated silicone sealant can provide up to 240 minutes fire resistance. It is suitable for the sealing of construction joints and around pipe penetrations. It is also ideal for the weather sealing of curtain walling, building facades and expansion joints in fire rated walls. Suitable for sealing around metal pipes, cable trays, and partial penetrations.

Performance and Certification:

Fire – BS 476: Part 20 | Fire – BS EN 1366-4

See page 45 for details of all options.



Pressure Exerting Sealant

Pyroplex pressure exerting sealant expands when exposed to elevated temperatures, exerting pressure to seal and prevent the passage of fire and smoke through service penetrations. It offers fire resistance up to 240 minutes.

Performance and Certification:

Fire – BS EN 1366-3 | IFC Certification No. IFCC1029



The sealant is designed for internal use around cable tray and bunched cable applications. It is also ideal for use around small pipes where it is not possible to fit a Pyroplex fire collar or a pipe wrap.

See page 45 for details of all options.

Putty Pads

Putty pads are pre-cut ablative pads which reinstate the fire performance of the compartment wall when penetrated by electrical outlets, thereby reducing the need for additional backing materials. They provide a fast, efficient and clean method of achieving fire and acoustic ratings as required by building regulations.



Can be used in masonry and plasterboard partitions up to 120 minutes fire performance.

Performance and Certification:
Fire – BS EN 1364:1 | Fire – BS EN 1363:1

See page 45 for details of all options.

Technical information

Fire Door Seals

Technical Information

See page 5-7 for product details.

Intumescent Strip

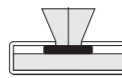


Part No.	Profile Dimensions	Fire Rating	Type
8500	10 x 4mm	30 min	Fire only
8700	15 x 4mm	30/60 min	Fire only
8600	20 x 4mm	60 min	Fire only
8800	25 x 4mm	60 min	Fire only
30094	30 x 4mm	60 min	Fire only
30076	38 x 4mm	60 min	Fire only
30137	15 x 6mm	90/120 min	Fire only
30228	20 x 6mm	90/120 min	Fire only
30138	25 x 6mm	90/120 min	Fire only
8512	10 x 4mm	30 min	Fire, Smoke & Acoustic
8712	15 x 4mm	30 min	Fire, Smoke & Acoustic
8612	20 x 4mm	60 min	Fire, Smoke & Acoustic
8812	25 x 4mm	60 min	Fire, Smoke & Acoustic
3009412	30 x 4mm	60 min	Fire, Smoke & Acoustic
3007612	38 x 4mm	60 min	Fire, Smoke & Acoustic
8510	10 x 4mm	30 min	Fire, Smoke & Acoustic
8710	15 x 4mm	30 min	Fire, Smoke & Acoustic
8610	20 x 4mm	60 min	Fire, Smoke & Acoustic
8810	25 x 4mm	60 min	Fire, Smoke & Acoustic
3009410	30 x 4mm	60 min	Fire, Smoke & Acoustic
3007610	38 x 4mm	60 min	Fire, Smoke & Acoustic
30141	15 x 4mm	30 min	Fire, Smoke & Acoustic
30148	20 x 4mm	60 min	Fire, Smoke & Acoustic
30150	10 x 4mm	30 min	Fire, Smoke & Acoustic
30155	15 x 4mm	30 min	Fire, Smoke & Acoustic
30156	20 x 4mm	60 min	Fire, Smoke & Acoustic
30160	10 x 4mm	30 min	Fire, Smoke & Acoustic
30165	15 x 4mm	30 min	Fire, Smoke & Acoustic
30166	20 x 4mm	60 min	Fire, Smoke & Acoustic
30170	10 x 4mm	30 min	Fire, Smoke & Acoustic
30175	15 x 4mm	30 min	Fire, Smoke & Acoustic
30176	20 x 4mm	60 min	Fire, Smoke & Acoustic
30145	15 x 6mm	30/60/90 min	Fire, Smoke & Acoustic

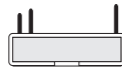
Strip with Brush



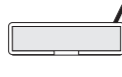
Strip with Brush and Fin



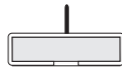
Strip with Triple Flipper



Strip with Side Flipper



Strip with Single Flipper



Strip with Twin Flipper



Fire Door Seals

Technical Information

See page 8-9 for product details.

Flexible Door Strip



Intumescent Door Strip with Backing



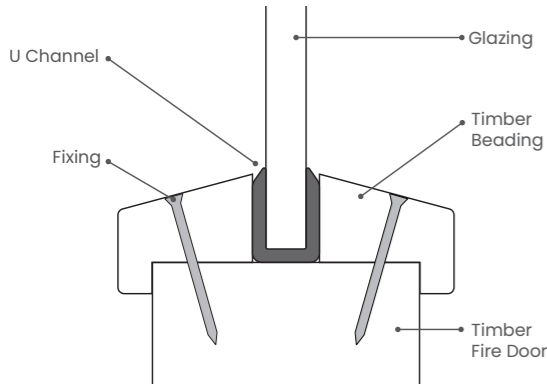
Intumescent Door Strip without Backing



Part No.	Profile Dimensions	Fire Rating	Type
8979	10 x 2.5mm	30 min	Fire only
8989	10 x 4mm	30 min	Fire only
8980	15 x 2.5mm	30 min	Fire only
30020	15 x 4mm	30 / 60 min	Fire only
8981	20 x 2.5mm	60 min	Fire only
30112	20 x 4mm	60 min	Fire only
8988	25 x 2.5mm	60 min	Fire only
8986	30 x 2.5mm	60 min	Fire only
8983	40 x 2.5mm	60 min	Fire only
30147	40 x 4mm	60 min	Fire only
30086	10 x 2mm	30 min	Fire only
8492	10 x 2.5mm	30 min	Fire only
30085	15 x 2mm	30 min	Fire only
8501	15 x 2.5mm	30 min	Fire only
30074	20 x 2mm	30 min	Fire only
8921	20 x 2.5mm	30 min	Fire only
30142	25 x 2mm	30 min	Fire only
8934	25 x 2.5mm	30 min	Fire only
30075	30 x 2mm	60 min	Fire only
8958	30 x 2.5mm	60 min	Fire only
8456	45 x 2.5mm	60 min	Fire only
30187	45 x 4mm	60 min	Fire only
30146	50 x 2mm	60 min	Fire only
8196	10 x 2mm	30 min	Fire only
8366	15 x 2mm	30 min	Fire only
8212	20 x 2mm	30 min	Fire only
8294	25 x 2mm	30 min	Fire only
8432	30 x 2mm	60 min	Fire only
8241	45 x 2mm	60 min	Fire only

See page 12 for product details.

U Channel

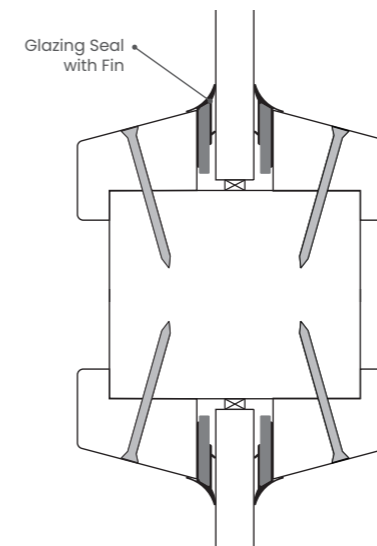
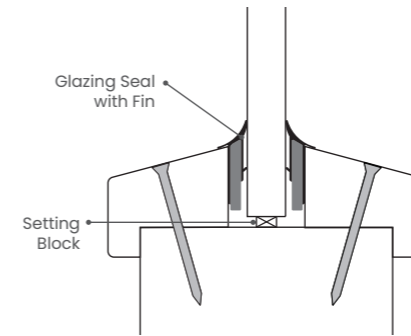


Part No.	Glass Thickness	Fire Rating	Glass Type
8193	5-7mm	30 min	Non insulating and insulating
8193 Acceptable Glass Dimensions with Liner			
Glass	Maximum Aperture Height (mm)	Maximum Aperture Width (mm)	Maximum Aperture Area (m ²)
Pyroshield Safety	600 (at 600 wide)	600 (at 600 high)	0.36
Pyrostem	600 (at 600 wide)	600 (at 600 high)	0.36
Pyrodur Plus	600 (at 600 wide)	600 (at 600 high)	0.36
Pyroguard C/W	600 (at 600 wide)	600 (at 600 high)	0.36
Pyrotech 630*	1680 (at 450 wide)	540 (at 1400 high)	0.76

*This glass requires the expansion allowance to be a minimum of 1mm per 150mm glass length (both vertical and horizontal) or if in doubt, minimum 5mm to all edges (10mm to head if expansion is not possible at the bottom edge). The edge cover to each pane shall be 10mm.

See page 11 for product details.

Glazing Seal with Fin



Part No.	Glass Thickness	Fire Rating	Glass Type
30049	7-15mm	30 min	Non insulating and insulating
30049 Acceptable Glass Dimensions with Liner			
Glass	Maximum Aperture Height (mm)	Maximum Aperture Width (mm)	Maximum Aperture Area (m ²)
Pyroshield Safety	1887 (at 355 wide)	750 (at 893 high)	0.67
Pyrostem	1550 (at 290 wide)	750 (at 600 high)	0.45
Pyroclear	1473 (at 343 wide)	398 (at 893 high)	0.50
Pyrodur Plus	1550 (at 290 wide)	750 (at 600 high)	0.45
Pyrobelite 7 or 7EG	1550 (at 290 wide)	750 (at 600 high)	0.45
Pyroguard C/W	750 (at 750 wide)	750 (at 750 high)	0.56
Pyrotech 630*	1680 (at 450 wide)	540 (at 1400 high)	0.76
30049 Acceptable Glass Dimensions without Liner			
Pyroclear	1473 (at 343 wide)	398 (at 893 high)	0.50
CERTIFIRE Approved 15mm fully insulated glass**	880 (at 550 wide)	605 (at 800 high)	0.48
CERTIFIRE Approved 7-12mm fully insulated glass**	876 (at 526 wide)	658 (at 701 high)	0.46
30049 Screen Acceptable Glass Dimensions with Liner			
Pyroshield or Pyran S	1125 (at 1924 wide)	2405 (at 900 high)	2.16
Pyroshield or Pyran S	2455 (at 940 wide)	1175 (at 1964 high)	2.30
Pyrobelite, Pyrodur, Pyroguard, Pyrostem	Maximum glass height and width should be specified in the relevant glass manufacturer's CERTIFIRE Certificate		

*This glass requires the expansion allowance to be a minimum of 1mm per 150mm glass length (both vertical and horizontal) or if in doubt, minimum 5mm to all edges (10mm to head if expansion is not possible at the bottom edge). The edge cover to each pane shall be 10mm.

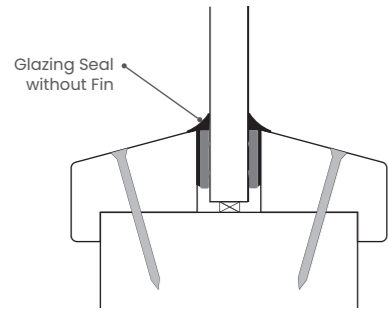
**Ensure glass is approved for use in timber doorsets.

Fire Glazing Seals

Technical information

See page 11 for product details.

Glazing Seal without Fin



Part No.	Glass Thickness	Fire Rating	Glass Type
30054	5-7mm	30 min	Insulating
30054 Acceptable Glass Dimensions with Liner			
Glass	Maximum Aperture Height (mm)	Maximum Aperture Width (mm)	Maximum Aperture Area (m ²)
Pyrodur Plus	750 (at 750 wide)	750 (at 750 high)	0.56
Pyroguard C/W	750 (at 750 wide)	750 (at 750 high)	0.56
Pyrotech 630*	1680 (at 450 wide)	540 (at 1400 high)	0.76
30054 Acceptable Glass Dimensions without Liner			
CERTIFIRE Approved 15mm fully insulated glass**	880 (at 550 wide)	605 (at 800 high)	0.48

*This glass requires the expansion allowance to be a minimum of 1mm per 150mm glass length (both vertical and horizontal) or if in doubt, minimum 5mm to all edges (10mm to head if expansion is not possible at the bottom edge). The edge cover to each pane shall be 10mm.

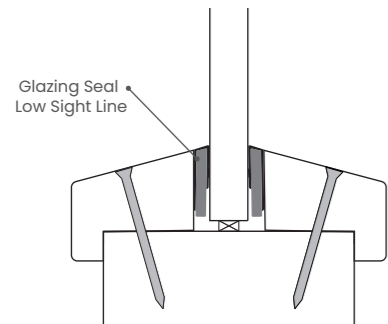
**Ensure glass is approved for use in timber doorsets.

Part No.	Glass Thickness	Fire Rating	Glass Type
30167	5-7mm	30 min	Insulating
30167 Acceptable Glass Dimensions with Liner			
Glass	Maximum Aperture Height (mm)	Maximum Aperture Width (mm)	Maximum Aperture Area (m ²)
Pyrodur Plus	750 (at 750 wide)	750 (at 750 high)	0.56
Pyroguard C/W	750 (at 750 wide)	750 (at 750 high)	0.56
Pyrotech 630*	1680 (at 450 wide)	540 (at 1400 high)	0.76
30167 Acceptable Glass Dimensions without Liner			
CERTIFIRE Approved 15mm fully insulated glass**	880 (at 550 wide)	605 (at 800 high)	0.48

*This glass requires the expansion allowance to be a minimum of 1mm per 150mm glass length (both vertical and horizontal) or if in doubt, minimum 5mm to all edges (10mm to head if expansion is not possible at the bottom edge). The edge cover to each pane shall be 10mm.

**Ensure glass is approved for use in timber doorsets.

Glazing Seal Low Sight Line

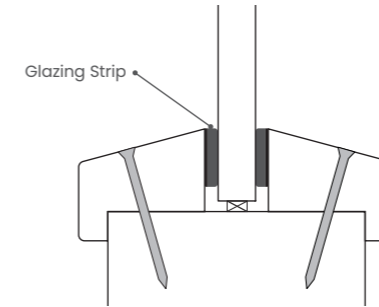


Fire Glazing Seals

Technical information

See page 11 for product details.

Glazing Strip



Part No.	Glass Thickness	Fire Rating	Glass Type
8492	5-7mm	30 min	Non insulating and insulating
8492 Acceptable Glass Dimensions with Liner			
Glass	Maximum Aperture Height (mm)	Maximum Aperture Width (mm)	Maximum Aperture Area (m ²)
Pyroshield Safety	403 (at 626 wide)	626 (at 403 high)	0.25
Pyrostem	403 (at 626 wide)	626 (at 403 high)	0.25
Pyrodur Plus	403 (at 626 wide)	626 (at 403 high)	0.25
Pyroguard C/W	403 (at 626 wide)	626 (at 403 high)	0.25
Pyrotech 630*	1680 (at 450 wide)	540 (at 1400 high)	0.76
8492 Acceptable Glass Dimensions without Liner			
CERTIFIRE Approved 15mm fully insulated glass**	880 (at 550 wide)	605 (at 800 high)	0.48

*This glass requires the expansion allowance to be a minimum of 1mm per 150mm glass length (both vertical and horizontal) or if in doubt, minimum 5mm to all edges (10mm to head if expansion is not possible at the bottom edge). The edge cover to each pane shall be 10mm.

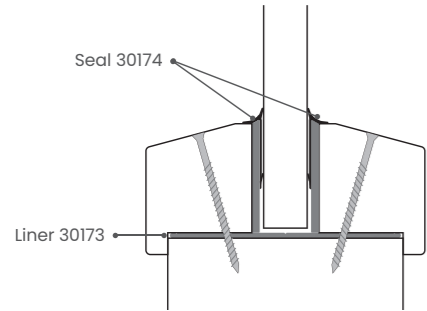
**Ensure glass is approved for use in timber doorsets.

Fire Glazing Seals

Technical information

See page 13 for product details.

Fire Glazing System - 60 minute



Part No.	Glass Thickness	Fire Rating	Glass Type
PFGIHR (Kit Configuration)	6, 15 and 23mm	60 min	Non insulating and insulating
PFGIHR Acceptable Glass Dimensions with Liner			
Glass	Maximum Aperture Height (mm)	Maximum Aperture Width (mm)	Maximum Aperture Area (m ²)
Uninsulating Glass - Pyroshield, Pyrostem or Pyran S	1050	250	0.26
	553	553	0.31
CERTIFIRE Approved 15mm thick fully insulated glass**	1058	190	0.20
	1050	250	0.26
	553	553	0.31
CERTIFIRE Approved 23mm thick fully insulated glass**	1162	210	0.24
	1050	1050	1.10
	553	553	0.31

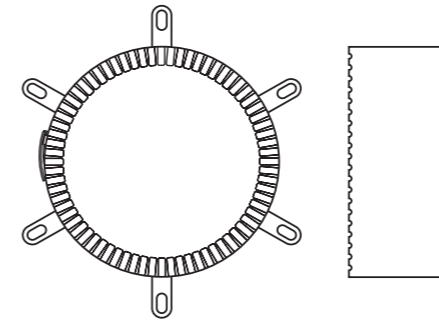
**Ensure glass is approved for use in timber doorsets.

400 Series Pipe Collars

Technical information

See page 22 for product details.

CE Marked 400 Series Pipe Collars



Range for plasterboard partitioning walls - Pipe Material PVC-u / Pipe Material PE

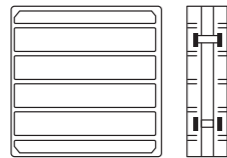
Part No.	Pipe Ø (mm)	Pipe Wall Thickness (mm)	Pipe Wall Thickness (mm)	Collar Depth (mm)	No. of Fixing Lugs	Orientation and Construction*
		Pipe Material PVC-u	Pipe Material PE			Plasterboard Wall
PPC25-4	25	1.9 - 3.0	2.4 - 3.7	60	2	EI 120
PPC32-4	32	1.9 - 3.0	2.4 - 3.7	60	2	EI 120
PPC40-4	40	1.9 - 3.0	2.4 - 3.7	60	2	EI 120
PPC48-4	48	2.2 - 3.4	2.5 - 4.0	60	2	EI 120
PPC55-4	55	3.3 - 5.2	3.0 - 5.4	60	3	EI 120
PPC68-4	68	3.3 - 5.2	3.0 - 5.4	60	3	EI 120
PPC82-4	82	3.3 - 5.2	3.0 - 5.4	60	3	EI 120
PPC90-4	90	4.8 - 7.4	3.4 - 6.6	60	3	EI 120
PPC110-4	110	4.8 - 7.4	3.4 - 6.6	60	4	EI 120
PPC125-4	125	4.8 - 7.4	-	60	4	EI 120
PPC160-4	160	6.2 - 9.5	4.9 - 9.1	60	6	EI 120

*Achieved when installed on both sides of the separating element (i.e. wall)

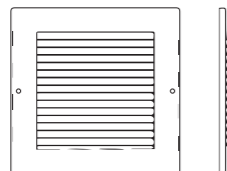
Air Transfer Grilles

See page 17 for product details.

Grilles



Faceplates



Air Transfer Grille Part No.	Compatible Faceplate	Profile Dimensions	Fire Rating	Free Area % *
ATG1500	FP1500	150 x 150 x 40mm	30 / 60 min	60
ATG1503	FP1503	150 x 300 x 40mm	30 / 60 min	60
ATG1300	FP1300	300 x 300 x 40mm	30 / 60 min	60
ATG2251	FP2251	112 x 225 x 40mm	30 / 60 min	60
ATG2250	FP2250	225 x 225 x 40mm	30 / 60 min	60

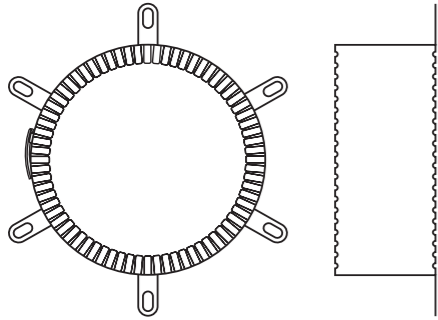
*Calculation is based upon overall Grille dimensions and distance between product veins.

400 Series Pipe Collars

Technical information

See page 22 for product details.

CE Marked 400 Series Pipe Collars



Range for concrete and masonry walls and floors - Pipe Material PVC-u						
Part No.	Pipe Ø (mm)	Pipe Wall Thickness (mm)	Collar Depth (mm)	No. of Fixing Lugs	Orientation and Construction	
					Wall	Floor
PPC25-4	25	1.8	60	2	EI 180	EI 180
PPC32-4	32	1.8	60	2	EI 180	EI 180
PPC40-4	40	1.8	60	2	EI 180	EI 180
PPC48-4	48	3.2	60	2	EI 180	EI 180
PPC55-4	55	3.2	60	3	EI 180	EI 180
PPC68-4	68	3.2	60	3	EI 180	EI 180
PPC82-4	82	3.2	60	3	EI 180	EI 180
PPC90-4	90	3.2	60	4	EI 180	EI 180
PPC110-4	110	3.2	60	4	EI 180	EI 180
PPC125-4	125	3.2	60	4	EI 180	EI 180
PPC135-4	135	3.2	60	4	EI 180	EI 180
PPC160-4	160	3.2	60	6	EI 180	EI 180
PPC200-4	200	5.4	180	8	EI 240	EI 180
PPC225-4	225	7.2	180	8	EI 240	EI 180
PPC250-4	250	7.2	180	9	EI 240	EI 180
PPC315-4	315	8.2	180	11	EI 180	EI 120
PPC350-4	350	9.8	180	12	EI 120	EI 180*
PPC400-4	400	9.8	180	13	EI 120	EI 180*

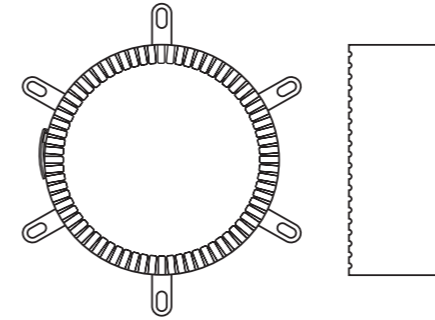
*PPC350-4 and PPC400-4 achieve EI 180 only, when installed on both sides of the separating element (i.e. floor)

400 Series Pipe Collars

Technical information

See page 22 for product details.

CE Marked 400 Series Pipe Collars



Range for plasterboard partitioning walls - Pipe Material PP					
Part No.	Pipe Ø (mm)	Pipe Wall Thickness (mm)	Collar Depth (mm)	No. of Fixing Lugs	Orientation and Construction*
					Plasterboard Wall
PPC25-4	25	1.8 - 3.7	60	2	EI 90 & E 120
PPC32-4	32	1.8 - 3.7	60	2	EI 90 & E 120
PPC40-4	40	1.8 - 3.7	60	2	EI 90 & E 120
PPC48-4	48	1.9 - 4.4	60	2	EI 90 & E 120
PPC55-4	55	2.3 - 7.5	60	3	EI 90 & E 120
PPC68-4	68	2.3 - 7.5	60	3	EI 90 & E 120
PPC82-4	82	2.3 - 7.5	60	3	EI 90 & E 120
PPC90-4	90	2.7 - 10.0	60	3	EI 120
PPC110-4	110	2.7 - 10.0	60	4	EI 120
PPC160-4	160	4.0 - 9.1	60	4	EI 120

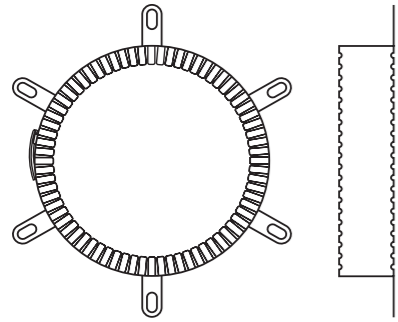
*Achieved when installed on both sides of the separating element (i.e. wall)
Full CE Marked Pipe Collars - 400 Series, 200 Slimline and 200 Series installation instructions are available on our technical datasheets which can be downloaded from www.pyroplex.com

200 Series Slimline Pipe Collars

Technical information

See page 23 for product details.

CE Marked 200 Series Slimline Pipe Collars



Range for plasterboard partitioning walls / concrete and masonry walls and floors - Pipe Material PP / Pipe Material PVC-u / Pipe Material PE					
Part No.	Pipe Ø (mm)	Collar Depth (mm)	No. of Fixing Lugs	Orientation and Construction*	
				Plasterboard Wall / Floor	
PPC55-SL	55	30	3	EI 90 & E 120	
PPC75-SL	75	30	4	EI 90 & E 120	
PPC82-SL	82	30	4	EI 90 & E 120	
PPC110-SL	110	30	5	EI 90 & E 120	
PPC125-SL	125	30	5	EI 90 & E 120	
PPC160-SL	160	45	6	EI 90 & E 120	
PPC200-SL	200	60	7	EI 90 & E 120	

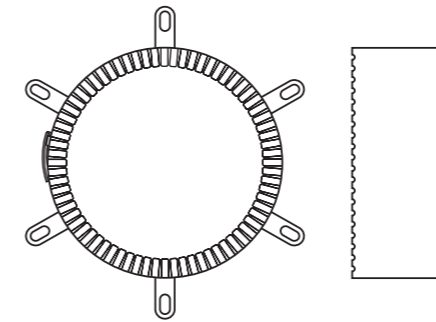
*Achieved when installed on both sides of the separating element (i.e. wall)
Full CE Marked Pipe Collars – 400 Series, 200 Slimline and 200 Series installation instructions are available on our technical datasheets which can be downloaded from www.pyroplex.com

200 Series Pipe Collars

Technical information

See page 24 for product details.

CE Marked 200 Series Pipe Collars



Range for concrete and masonry walls and floors - Pipe Material PVC-u					
Part No.	Pipe Ø (mm)	Pipe Wall Thickness (mm)	Collar Depth (mm)	No. of Fixing Lugs	Orientation and Construction
					Wall / Floor
PPC55-2M	55	3.2	60	3	EI 120
PPC75-2M	75	3.2	60	3	EI 120
PPC82-2M	82	3.2	60	3	EI 120
PPC110-2M	110	3.2	60	4	EI 120
PPC160-2M	160	3.2	60	6	EI 120

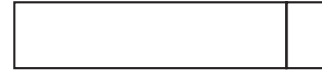
Full CE Marked Pipe Collars – 400 Series, 200 Slimline and 200 Series installation instructions are available on our technical datasheets which can be downloaded from www.pyroplex.com

400 Series Pipe Wraps

Technical information

See page 25 for product details.

CE Marked 400 Series Pipe Wraps



Range for concrete and masonry walls and floors					
Part No.	Pipe Ø (mm)	Pipe Wall Thickness (mm)	Hole Ø Wall/ Floor (mm)	Orientation and Construction	
				Wall	Floor
PPW55-4	55	3.2	70	EI 240	EI 120
PPW82-4	82	3.2	98	EI 240	EI 120
PPW110-4	110	3.2	130	EI 120	EI 120
PPW125-4	125	3.2	155	EI 120	EI 180
PPW160-4	160	3.2	190	EI 120	EI 180

200 Series Pipe Wraps

See page 25 for product details.

CE Marked 200 Series Pipe Wraps



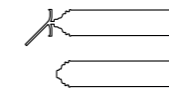
Range for concrete and masonry walls and floors				
Part No.	Pipe Ø (mm)	Pipe Wall Thickness (mm)	Hole Ø Wall/ Floor (mm)	Orientation and Construction
				Wall / Floor
PPW55-2	55	3.2	70	EI 120
PPW82-2	82	3.2	98	EI 120
PPW110-2	110	3.2	130	EI 120
PPW160-2	160	3.2	190	EI 120

Perimeter Joint Sealants

Technical information

See page 19 for product details.

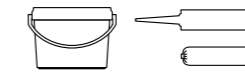
Fire Rated Expanding Foam



750ml Hand Held Application	750ml Gun Application
PFRF750A	PFRF750GUN

See page 26 for product details.

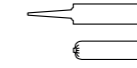
Intumescent Acrylic Sealant



310ml Sealant Tube	600ml Foil Pack	10 Litre Tubs
2WT310PY	2SWT600	2WT10LPY

See page 27 for product details.

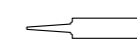
CE Intumescent Acrylic Sealant



310ml Sealant Tube	600ml Foil Pack
AC310WTCE	AC600WTCE

See page 28 for product details.

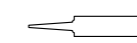
Fire Rated Silicone Sealant



310ml Sealant Tube
PFRS310WT

See page 29 for product details.

Pressure Exerting Sealant



310ml Sealant Tube
PES310GY

See page 18 for product details.

Mineral Fibre Sheet



50m Roll 0.5mm x 1000mm	50m Roll 1.0mm x 1000mm
PMFS1	PMFS2

See page 30 for product details.

Putty Pads



170 x 170mm - 3.25mm Thick (Single Outlets)	230 x 170mm - 3.25mm Thick (Double Outlets)
PUTPAD170	PUTPAD230



Bmtrada Quality Management System: ISO 9001

Pyroplex are certified to ISO 9001:2015.

This is the recognised standard for Quality Management Systems (QMS).



Bmtrada Environmental Management System: ISO 14001

Pyroplex are certified to 14001:2015.

This is the recognised standard for Environmental Management Systems (EMS).



Certifire

Certifire is an independent third-party passive fire product certification scheme. The Certifire scheme continually ensures that a mass-produced product maintains the same quality as its original tested product. It assures performance, quality, reliability and traceability of Pyroplex products and systems.



International Fire Consultants Group Certification Ltd

IFC Certification Ltd is a UKAS (United Kingdom Accreditation Service) accredited provider of third party certification. It is also a Notified Certification Body for certifying products for CE Marking. IFC confirms Pyroplex products maintain the same specification as originally tested.



Association for Specialist Fire Protection

ASFP is the UK's leading trade association for the passive fire protection sector. They give guidance on essential standards in passive fire protection.



British Woodworking Federation Fire Door Alliance

The BWF Fire Door Alliance vision is that every fire door / fire doorset sold in the UK meets the required standards through its service life.



The Intumescent Fire Seals Association

The Association provides technical advice and guidance on all matters relating to fire door seals, smoke seals, glazing seals and all penetration/gap sealing problems. They ensure that only third-party certificated fire doors and fire doorsets, installed by certificated companies, are used in the UK.



Architectural And Specialist Door Manufacturers Association

ASDMA furthers the interests of fire door manufacturers and their component suppliers. They promote and increase best practice in the manufacture and supply of bespoke doors and doorsets.

Index

Accreditations	46	Intumescent Acrylic Sealant	26, 45
Air Transfer Grilles	17, 38	CE Intumescent Sealant	27, 45
Custom Seals	14	Intumescent Door Strip	9, 33
Fire Door Seals	2, 32-33	Intumescent Strips	5, 32
Fire Glazing Seals	10, 38-42	With Brush	6, 32
Fire Glazing System	13, 42	With Flipper	7, 32
Fire Rated Expanding Foam	19, 45	Mineral Fibre Sheet	18, 45
Fire Rated Silicone Sealant	28, 45	Pipe Collars	
Fire Stopping	22	400 Series	22, 39-41
Flexible Door Strip	8, 33	200 Series	23, 42
Glazing Seals	10, 34-38	200 Series Slimline	24, 43
Glazing Strip	11, 37	Pipe Wraps	25, 44
Low Sight Line Seal	11, 36	400 Series	25, 44
U Channel	12, 34	200 Series	25, 44
With Fin	11, 35	Pressure Exerting Sealant	29, 45
Without Fin	11, 36	Putty Pads	30, 45
		Trade Associations	47